

# SV-HLR01, SV-HLR02 SV-HDP0801, SV-HDS0801

The SV-HLR01 is a distance extension device for HD-SDI signal which can extend the distance over 200m (HD:1.485G) and 130m (Full HD: 2.97G). Also using SV-HDP0801 and SV-HDS0801, it supply power to HD camera over same coaxial cable for HD-SDI signal transmission.

## Product Summary

- Distance extension device for HD-SDI (Repeater)
- Extending transmission distance over 200m (HD:1.485G)/ 130m (Full HD:2.97G)
- Using SV-HDS0801(PSU) and SV-HDP0801(48V-12V converter) it is possible to work itself and send to power to camera over coaxial cable. (Optional)
- Low infrastructure costs with easy maintenance
- Possible to extend the transmission distance of HD-SDI and power installing more repeaters

## Major Specifications

MODEL		SV-HLR01/SV-HLR02	
Video In/Out		HD-SDI	
HD-SDI Out		Buffered Output(SV-HLR02: Dual out/ 1in 2out)	
Power In		12V/500mA or Power over Coax (DC 48V 1.04A)	
Max. Distance		130m (Full HD)/ 200m (HD) with RG-6	
connect Port	SDI In	BNC-F	
	SDI Out	BNC-F or BNC-F x2	
	DIP SW	1	2
		OFF	48V Out OFF
	ON	-	Loop Through
	Power Input	3Pin Terminal Normal	
LED	SDI	Green Flickering: Normal	
	Power	Yellow On: Normal / Flickering: Power Drop	
Temperature / Humidity		-10°C~+40°C / 0~80%	
Case body / Weight		Aluminum / 120g	
Dimension (mm)		75(W)x60(H)x25(D)	

MODEL		SV-HDP0801	SV-HDS0801
Connect Port	SDI In/Out	BNC-F	
	Power Out	2Pin Terminal Block	3pin Terminal Block (AC/DC Adapter 48V/1.04A)
Power LED		Normal: RED On, Abnormal: RED Flickering	Normal: RED On
Temperature / Humidity		-10°C~+40°C / 0~80%	
Case body / Weight		Aluminum / 120g	
Dimension (mm)		65.5(W)x60(H)x25(D)	

[SV-HLR01]



NEW

[SV-HLR02]



NEW

[SV-HDP0801]

Power converter for camera



NEW

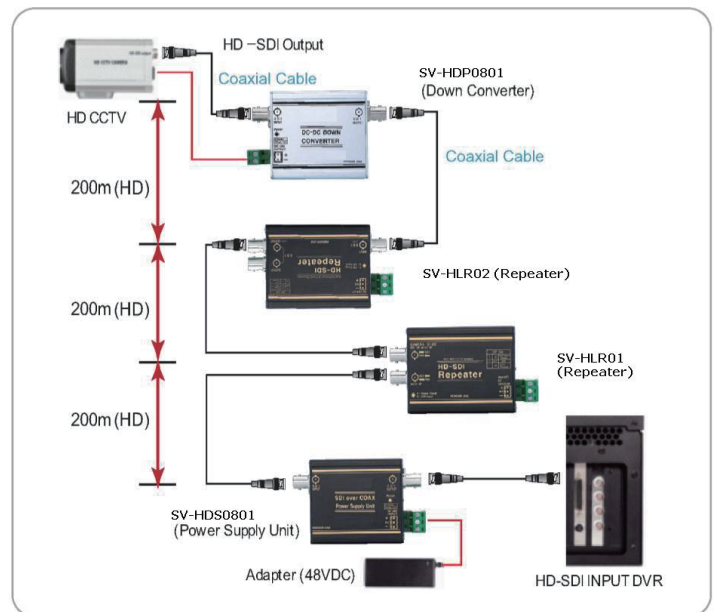
[SV-HDS0801]

Power supply unit



NEW

## Connection Diagram



## Dimensions

