

Others

# SVPF-560120 ▶ 56VDC/1.2A Power Supply



## Overview

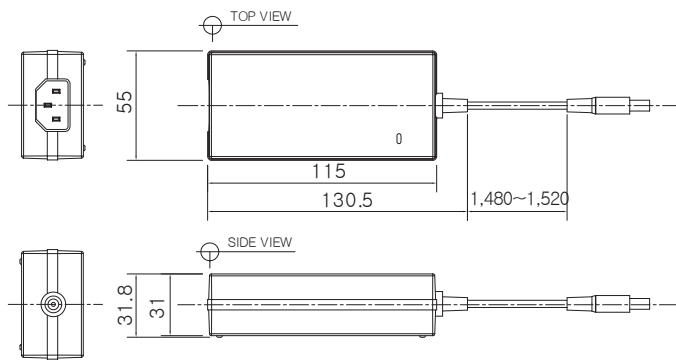
SVPF-560120 is a premium power supply unit designed for Ethernet Extender Series.

PSU meets the power requirement of CCTV products that require IEEE802.3af, IEEE802.3at, and Extra PoE power (up to 60W).

## Features

- 56VDC / 1.2A Power supply
- Plug Polarity  $\ominus \text{---} \oplus$
- DC Cord: UL1185, 18AWG, 0D3.5
- Plug: 5.5 x 2.1 x 10 mm
- Case & Cord Color: Black

## Dimension



## Specification

Model	SVPF-560120
Input Range	120~240Vac, 50/60Hz
Input Plug	3Pin Inlet Type
Maximum Power	67.2W
Output Voltage	DC 56V
Output Current	1.2A
Over current protection	120%~300% (max)
Over voltage protection	120%~200% (max)
Energy Efficiency Level	LEVEL V
Average Efficiency	87% (min)
Safely Standards	UL, CE, KC, PSE
Dimension	115 x 55 x 32 mm
Operating temperature	0~40 °C
Operating Humidity	0~85%(Non-condensing)
MTBF	30 000Hrs