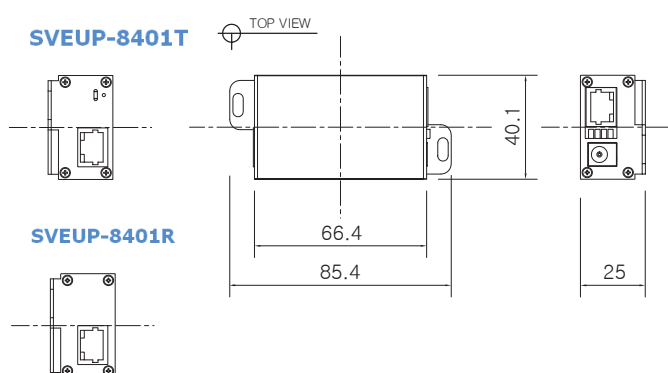


SVEUP-8401T/R ▶ Single Port Ethernet over UTP Transmitter / Receiver



Dimension



Specification

Model		SVEUP-8401T	SVEUP-8401R
Interface	EoC Signal	1*RJ45 - Ethernet over Coax (T-LinX)	
	Ethernet	RJ45 - 10/100/1000 Base-T with Auto-detect MDIX	
Transmission Rate		80Mbps Full Duplex (PHY: 200Mbps)	
Transmission Distance	Ethernet	up to 1.2Km(Cat.5 / Cat.5e)	
	PoE (PoC)	up to 1.2Km (Cat.5e / 57VDC input / 7W camera)	
LED Indication	Ethernet	1 - Ethernet Link(Yellow)	
	EoC	1 - Join(Green)	
	Power	1 - Power On(Amber)	
	PoE	1 - PoE Output(Red)	1 - PoE Input(Red)
Encryption		128-bit AES	
Power	Input	T-LinX or DC12V~57V	PoE Switch or DC12V~57V
	PoE Output	Support PoE (15W), PoE+ (30W), Extra PoE up to 60W	PoE Not Supported PoC Only
	PoE Input	Not Supported	Up to 25.5W (PD)
Mechanical	Dimension	85.4(L) x 40.1(W) x 25(H)mm	
	Weight	78g	
Environment	Operating Temp	-10 ~ 60°C	
	Storage Temp	-40 ~ 80°C	
	Relative Humidity	10% ~ 90%	
Compliance	Certification	FCC, CE, KC	
	Surge Protection	IEC 61000-4-5 4kV(1.2 / 50us), 2kA(8 / 20us)	
Optional Accessories		56VDC / 1.2A External Power Supply	

Overview

SVEUP-8401 is a High-Speed, long distance Ethernet & PoE extender that makes possible to transmit the Ethernet signal up to 1,200m and PoE up to 1,200m via UTP cables in different situations.

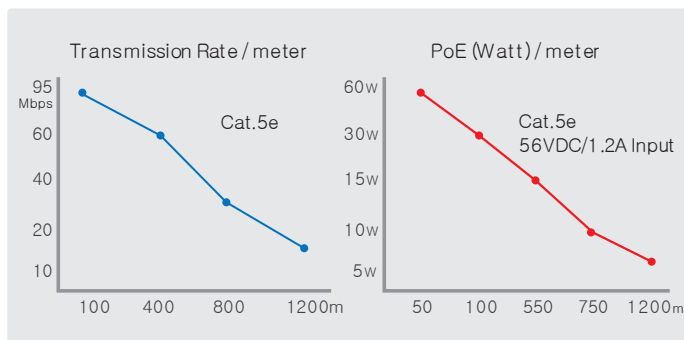
It is cost-effective and time saving solution to migrate existing analog system to IP based system since SVEUP-8401 supports easy installation utilizing the existing UTP cable.

With long distance transmission feature, the device makes to overcome 100 meters distance limitation easily and reduces the construction cost significantly compared with fiber optic configuration.

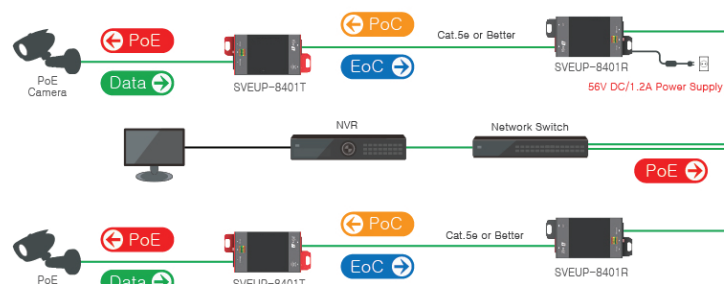
Features

- Ethernet over UTP communication following IEEE1901 Standard
- Data + Power over UTP cable (Cat.5e or better)
- Data distance up to 1,200m
- PoE distance up to 1,200m
- Max. 80Mbps Bandwidth
- 10/100 Full Duplex
- 128bit AES network encryption
- Supports Multi-connection (Daisy chain, Ring, Star, etc.)
- PoE, PoE+, Extra PoE (Max. 60W output)
- Passive PoE ON/OFF Switch - SVEUP-8401T model only
- Quality LED
- Plug & Play
- Over Current Protection for safe power transmission.
- Support PoE+ Input (25.5W) from PSE devices - SVEUP-8401R Only
- Ultra-Slim Design

Performance chart



Connection Diagram



- Transmission distance may vary depending on the type and quality of cable, use of power and environmental condition.
- Distance is based on Cat.5e cable and 7 Watt IP Camera.