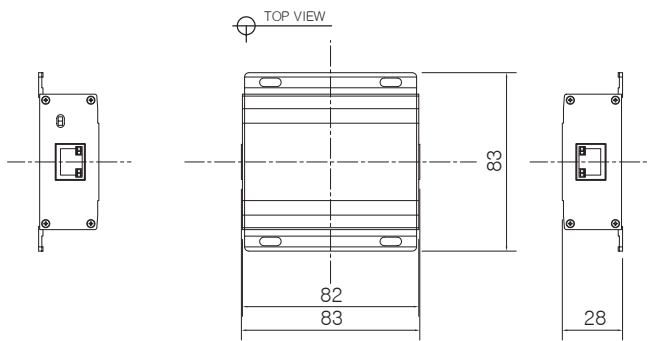


# SVEPR-101/111 ▶ Ethernet & PoE Repeater

SVEPR-101



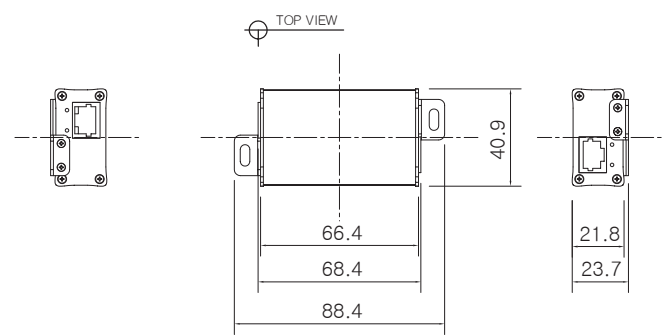
↔ Dimension



SVEPR-111



↔ Dimension



↔ Specification

Model		SVEPR-101	SVEPR-111
Interface	LAN / PoE In	1 * RJ45 - 10/100 Base-T with Auto-detect MDIX	
	LAN / PoE Out	1 * RJ45 - 10/100 Base-T with Auto-detect MDIX	
Transmission Rate		100Mbps Full Duplex	
Transmission Distance		100m (250m)	100m (200)
LED Indication	Ethernet	1 - Data(Green)	
	Power	1-PoE(Yellow)	
PoE	Standards	IEEE802.3af(PoE)	
	Max. Power	Max. 15W	
Mechanical	Dimension	83(L) x 83(W) x 28(H)mm	68.4(L) x 40.9(W) x 21.8(H)mm
	Weight	118g	72.5g
Environment	Operating Temp	0 ~ 60°C	
	Storage Temp	-20 ~ 80°C	
	Relative Humidity	10% ~ 90%	

↔ ( ) means Max distance between EPR series.

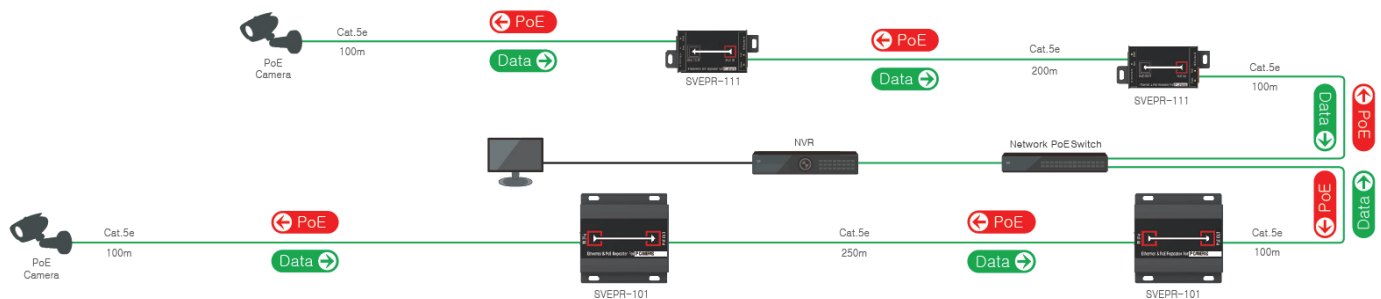
↔ Overview

EPR Series are Ethernet & PoE Repeaters that make possible to overcome max. 100m distance limitation of the network configuration.  
 For more distance extension, the devices can be added by daisy-chaining (up to 750m).  
 It is cost effective and easy installation solution for all kind of PoE (IEEE802.3af / 15W) compliant devices such as IP cameras, Network Switch, VoIP Phone, etc.

↔ Features

- Ethernet & PoE Repeater
- Up to 250m Ethernet & PoE extension (SVEPR-111: 200m)
- Additional extension by adding devices
- 15W PoE output (IEEE802.3af)
- PoE On/Off switch supported (SVEPR-101 only)
- No additional power required (PoE powered)
- Slim design (SVEPR-111)

↔ Connection Diagram



↔ Transmission distance may vary depending on the type and quality of cable, camera and environmental condition