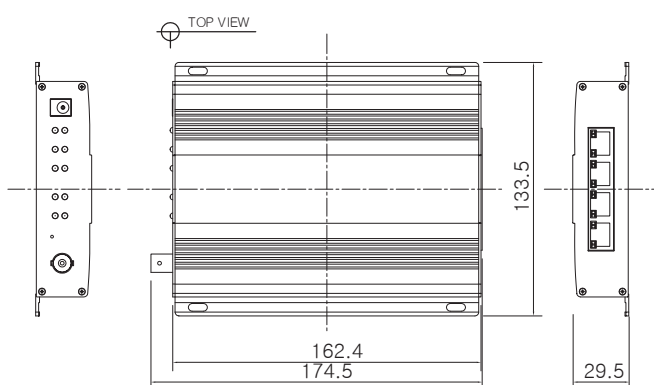


SVECP-2704T ▶ Premium 4 Port Ethernet over Coax Transmitter



Dimension



Specification

Model		SVECP-2704T: 4 Port Transceiver
Interface	Coax	75Ω BNC (Female) – Ethernet over Coax (B-LinX)
	Ethernet	RJ45 – 10/100/1000 Base-T with Auto-detect MDIX
Transmission Rate		270Mbps Full Duplex (PHY: 500Mbps)
Transmission Distance	Ethernet	up to 2.4Km(RG-6)
	PoE (PoC)	up to 1.2Km (RG-6 / 7W camera)
LED Indication	Ethernet	4 – Data(Green) / 4 – PoE(Yellow)
	EoC	1 – BNC Join(Green)
	Power	1 – PWR(Blue)
	Link Quality	1 – Good(Green) / 1–Bad(Red)
	Power Quality	1 – Good(Green) : 40V ~ 57V / 1 – Bad(Red) : 40V Under
	Port	4 – Port 1 ~ Port 4(Green)
Encryption		128-bit AES
Power	Input	DC12V~ DC57V
	PoE Output	Support PoE (15W), PoE+ (30W), Extra PoE up to 60W
Mechanical	Dimension	174.5(L) x 133.5(W) x 29.5(H)mm
	Weight	343g
Environment	Operating Temp	-20 ~ 60°C
	Storage Temp	-30 ~ 80°C
	Relative Humidity	10% ~ 90%
Compliance	Certification	FCC, CE, KC
	Surge Protection	IEC 61000-4-5 4kV(1.2 / 50us), 2kA(8 / 20us)
Optional Accessories		56VDC / 1.2A External Power Supply

Overview

SVECP-2704T is a 4 port Ultra High-Speed, long distance Ethernet & PoE transmitter that receives IP data from 4 different IP cameras or other network devices and transmits the EoC signal over one coaxial cable.

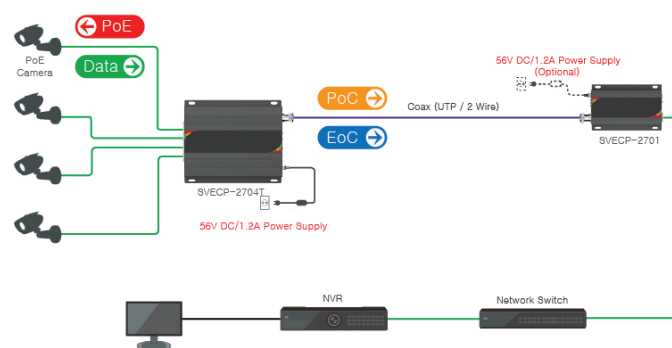
It is cost-effective and time saving solution to migrate existing analog system to IP based system since SVECP-2704T supports easy installation utilizing the existing CCTV cable (Coax, UTP, 2wire).

With long distance transmission feature, the device makes to overcome 100 meters distance limitation easily and reduce the construction cost significantly compared with fiber optic configuration.

Features

- Ethernet over coax (UTP, 2-Wire) communication following IEEE1901 Standard
- Data + Power over Coax (or UTP, 2-wire)
- Data distance up to 2,400m
- PoE distance up to 1,200m
- Max. 270Mbps Bandwidth
- 10/100/1000 Full Duplex
- 128bit AES network encryption
- Supports Multi-connection (Daisy chain, Ring, Star, etc.)
- PoE, PoE+, Extra PoE (Max. 60W output)
- Quality LED (Data & Power)
- Plug & Play
- Over Current Protection for safe power transmission.
- 4 Port PoE Output

Connection Diagram



- Multi-Port devices may have different bandwidth and power current for each port depending on number of connected cameras.
- Transmission distance may vary depending on the type and quality of cable, use of power and environmental condition.
- Distance is based on RG-6 coax cable and 7 Watt IP Camera.