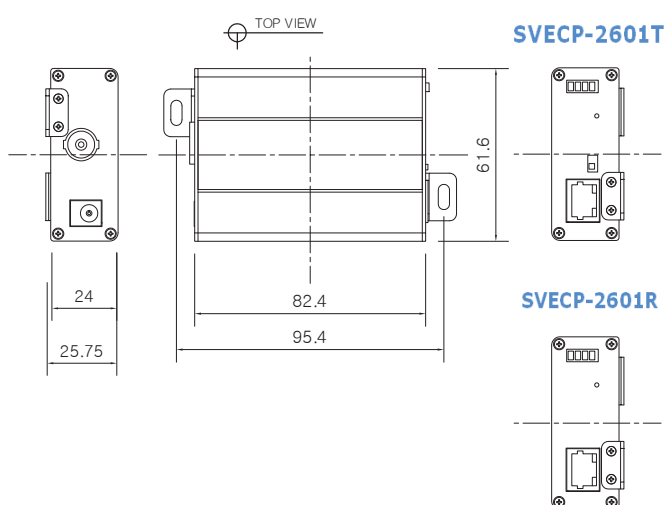


# SVECP-2601T/R ▶ Premium Single Port Ethernet over Coax Transmitter / Receiver



## Dimension



## Specification

Model		SVECP-2601T	SVECP-2601R
Interface	Coax	75Ω BNC (Female) – Ethernet over Coax (B-LinX)	
	Ethernet	RJ45 – 10/100 Base-T with Auto-detect MDIX	
Transmission Rate		95Mbps Full Duplex (270Mbps between Intercoax 2 series models)	
Transmission Distance	Ethernet	up to 2,400m(RG-6)	
	PoE (PoC)	up to 1.2Km (RG-6 / 57VDC Input / 7W camera)	
LED Indication	Ethernet	1 – Data-Link (Yellow)	
	EoC	1 – Join-Link (Green)	
	Power	1 – Power On(Amber)	
	PoE Consumption	1 – PoE Out (Red)	
Encryption		128-bit AES	
Power	Input	B-LinX or DC12V~57V	PoE Switch or DC12V~57V
	PoE Output	IEEE802.3af(PoE), IEEE802.3at (PoE+), Extra PoE up to 60W	PoE Not Supported PoC Only
Mechanical	Dimension	62.2(L) x 61.6(W) x 24(H)mm	
	Weight	77g	
Environment	Operating Temp	-20 ~ 60°C	
	Storage Temp	-30 ~ 80°C	
	Relative Humidity	10% ~ 90%	
Compliance	Certification	FCC, CE, KC	
	Surge Protection	IEC 61000-4-5 4kV(1.2 / 50us), 2kA(8 / 20us)	
Optional Accessories		56VDC / 1.2A External Power Supply	

## Overview

SVECP-2601 is a High-Speed, long distance Ethernet & PoE extender that makes possible to transmit the Ethernet signal up to 2,400m and PoE up to 1,200m via Coax (or UTP, 2-wire) cables in different situations.

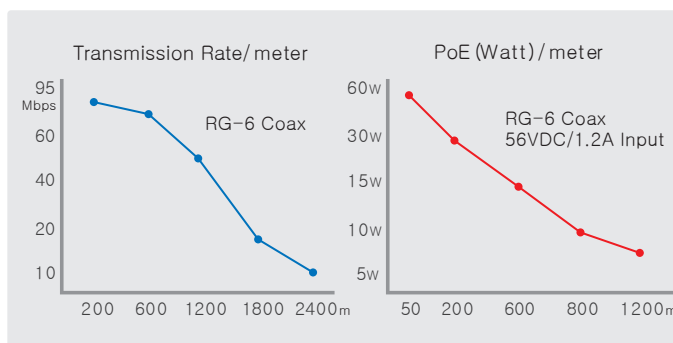
It is cost-effective and time saving solution to migrate existing analog system to IP based system since SVECP-2601 supports easy installation utilizing the existing cable.

With long distance transmission feature, the device makes to overcome 100 meters distance limitation easily and reduces the construction cost significantly compared with fiber optic configuration.

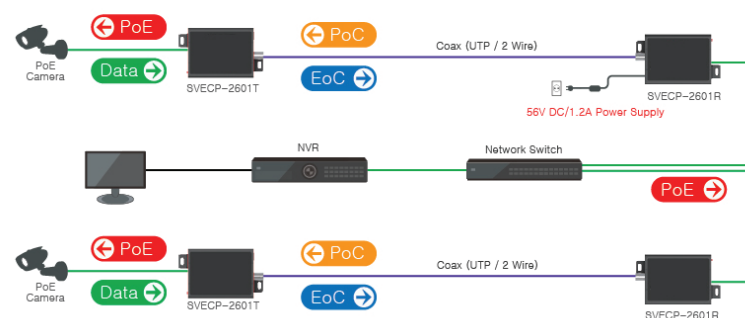
## Features

- Ethernet over Coax communication following IEEE1901 Standard
- Data + Power over Coax cable (or UTP, 2-Wire)
- Data distance up to 2,400m
- PoE distance up to 1,200m
- Max. 95Mbps Bandwidth (270Mbps between Intercoax 2 series models)
- 10/100 Full Duplex
- 128bit AES network encryption
- Supports Multi-connection (Daisy chain, Ring, Star, etc.)
- PoE, PoE+, Extra PoE (Max. 60W output)
- Quality LED (Data, Power, Link, PoE)
- Plug & Play
- Support PoE+ Input (25.5W) from PSE devices – ECP-2601R Only
- Slim design

## Performance chart



## Connection Diagram



- Transmission distance may vary depending on the type and quality of cable, use of power and environmental condition.
- Distance is based on RG-6 cable and 7 Watt IP Camera.