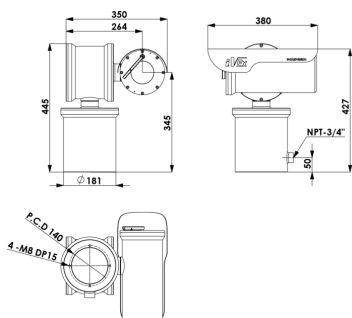


IVEX-PTZ-30



Dimensions



Major Specifications

Product Summary

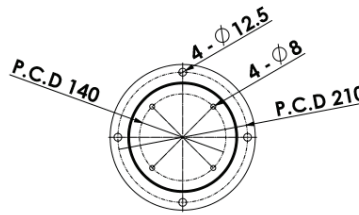
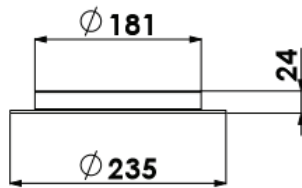
- Ex Certificates : IECEx / ATEX / KCs / NEPSI
- Ex Grade : Ex d IIC T6 Gb, Ex tb IIIC T85°C Db, Zone 1 & 2, Zone 21 & 22
- EMC Certification : CE / FCC / KC
- AISI 316L Stainless Steel Construction
- IP67 Protection Degree
- Extreme Operation Temperature : -40°C ~ +67°C
- Pan/Tilt Travel Range : ±360°(Continuous) / ±90°
- Pan/Tilt Travel Speed : 0.1°~20°/Sec
- Cable Outlet : 1 EA(NPT 3/4")
- Option : Wiper / Fan / Heater / Window Demister
- Support RS-485 Protocol / Support ONVIF
- Full HD 2 Megapixel
- 1/1.9" High Sensitivity Minimum illumination CMOS Sensor
- Optical x36(6~216mm) Zoom & Digital x32 Zoom
- Real-Time True WDR
- Digital Noise Reduction(2D+3D)
- Digital Image Stabilizer / Defog Function

Model Name		IVEX-PTZ-30
MECHANICAL PART	Material	AISI 316L Stainless Steel
	Window Material	Fully Tempered Plate glass
	Ex Certification	IECEx / ATEX / KCs / NEPSI / CE / FCC / KC
	Ex Grade	Ex d IIC T6 Gb, Zone 1 & 2 Ex tb IIIC T85°C Db, Zone 21 & 22
	Protection Degree	IP67
	Operation Temperature	-40°C ~ 67°C
	Operation Humidity	Less than 90%RH
	Size	350(W) x 445(H) x 380(L) mm
	Weight	Approx. 30 kg
	Communication	RS-485
	Input Voltage	DC24V, 50/60Hz, 110~230VAC(Option)
	Power Consumption	150 Watt Max.
	Pan/Tilt Travel Range	360°(Continuous) / ±90°
	Pan/Tilt Travel Speed	0.1°~20°/Sec
Cable Outlet	1 EA(NPT 3/4")	
Wiper/Fan/Heater/Window Demister	Option	
CAMERA PART	Image Sensor	1/1.9" Sony CMOS Sensor
	Effective Pixels	1937(H) x 1097(V)=2.12M Pixels
	Resolution	1920 x 1080p
	Scanning System	Progressive Scan
	Lens	F = 6.0mm~216 mm / F1.5(wide)~F4.8(tele)
	D/H/V	D : 67.0°(W)~2.3°(T) / H : 60.0°(W)~2.0°(T) / V : 36.0°(W)~11.1°(T)
	Zoom	Optical x36 & Digital x32
	Minimum illumination	Color : 0.5Lux / BW : 0.1Lux / Color DSS(1/7.5s) : 0.125Lux / BW DSS(1/7.5s) : 0.025Lux
	Day & Night	Auto / Day / Night
	White Balance	Auto / One Push / Manual / Indoor / Outdoor
	WDR	Off / WDR / BLC / HLC
	AGC	Off / On
	DNR	Auto / Off / Low / Middle / High
	Defog	Off / On(Auto / Manual)
	Digital Slow Shutter	Off / x2 / x4
	Digital Image Stabilizer	Off / On
	Video Streaming	H.264 / H.265 / MJPEG
Streaming Capability	Primary : H.264 Secondary x3 : H.264 / MJPEG	
Access	Ethernet 10 / 100 / 1000base-T(RJ-45)	
IP	IPv4 / IPv6	
Protocol	TCP/IP, UDP/IP, RTP(UDP), RTP(TCP), RTCP, RTSP, NTP, HTTP, HTTPS, SSL, DHCP, PPPoE, FTP, SMTP, ICMP, IGMP, SNMPv1/v2/v3(MIB-2), ARP, DNS, DDNS	
ONVIF	Support	

IVEX-PTZ-30



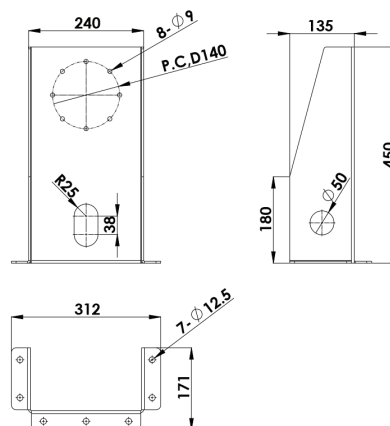
Dimensio



Major Specifications

Model Name		IVEX-PTZ-PD
PEDESTAL MOUNT	Material	AISI 316L Stainless Steel
	Load rating	100 Kg(220.46 lb)
	Size	210(Φ) x 24(H) mm
	Model application	IVEX-PTZ Series / IVEX-PTZR Series
	Weight	1.5 Kg

Dimensions



Major Specifications

Model Name		IVEX-PTZ-WB
WALL MOUNT BRACKET	Material	AISI 316L Stainless Steel
	Load rating	50 Kg(110.23 lb)
	Size	240(W) x 171(H) x 450(L) mm
	Model application	IVEX-PTZ Series / IVEX-PTZR Series
	Weight	6 Kg(13.23 lb)